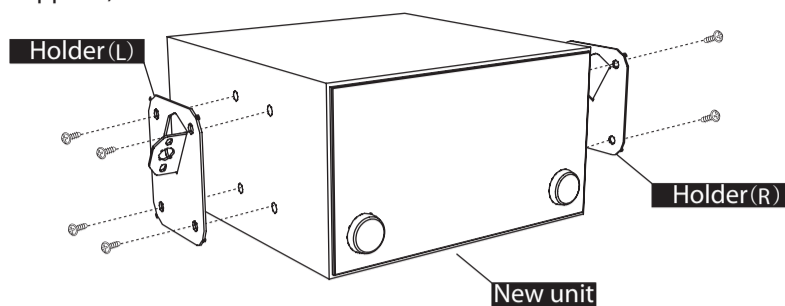


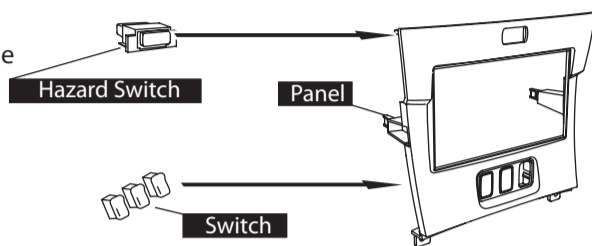
5 The aftermarket head unit assembly

1. Secure the brackets(L/R) to the aftermarket unit using the screws(the holders and screws are supplied).

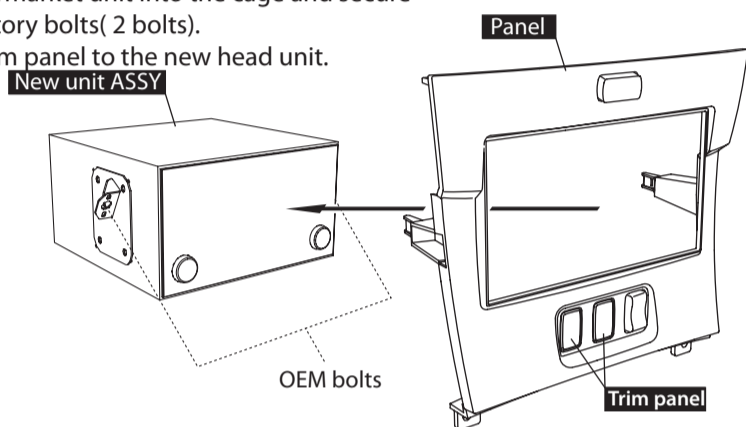


2. Clip the hazard switch(from the OEM unit) and the switches(from the center compartment) into the supplied trim panel.

* Take off the lid for the hole on the trim panel when you have more than 2 switches.



3. Slide the aftermarket unit into the cage and secure using the factory bolts(2 bolts). Attach the trim panel to the new head unit.



4. Attach the factory switch panel to the dashboard.

6 Verify operation for the new head unit

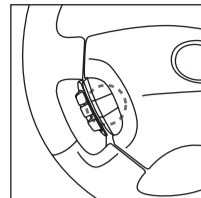
When completing the setup, makes sure the audio system works properly.

7 Basic operation

Switch the display from the map screen to TV

Press the (MODE) button on the steering switch when switching the factory display from the factory navigation to TV.

*The (MODE) button on the steering switch acts the same as the TV button on the OEM head unit.



Adjust the volume

Adjust the volume by pressing the volume control button on the steering switch.

*You can control the volume using the amplifier from both units.

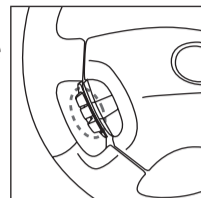
*The extreme difference of the sound level between both units causes noise and poor sound quality.

*For example, put the new head unit's volume control in the middle, and adjust the volume using the factory amplifier.

*The volume of the OEM amplifier will change the equalizer a little.

*Find the desired sound level between both units.

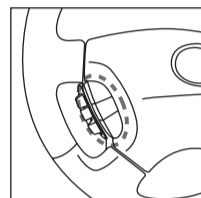
*Press and hold the volume control button on the steering switch, the volume will change continuously.



Change the channel on the OEM TV

Select the channel by pressing the seek button on the steering switch.

*When pressing the channel button, the channel goes up and down by one channel regardless of the preset.



Display the image from the new head unit on the OEM screen

Follow the process listed below.

- ① Press the (MODE) button on the steering switch.
- ② Press the (AUDIO) button on the side of the factory display.
- ③ Select the (VIDEO) from the touchscreen of the factory display.

*When AVC1 is not connected, the(VIDEO) cannot be displayed (the (VIDEO)) does not appear on the screen).

